



VRLA Rechargeable Battery

BC18-12



FEATURES

- Maintenance free(no water topping-up required)
- No free acid(Non-spillable battery)
- Can be used in any orientation(excluding used inverted)
- Absorbent Glass Mat technology for efficient gas recombination


APPLICATIONS

- UPS
- Fishing Lights
- Emergency Lights
- Video Camcorders(VCR)




SPECIFICATIONS

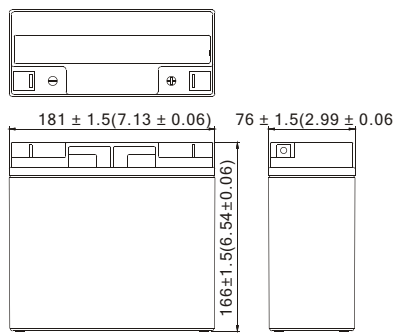
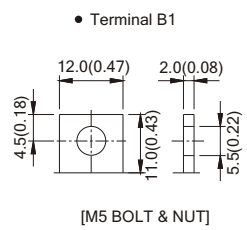
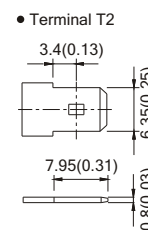
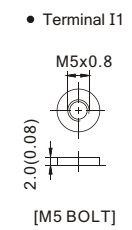
Nominal Voltage	12V
Nominal Capacity	18.00 Ah @ 20 hour rate F.V.(1.75V/cell)
Approx. Weight	5620g(12.39lbs.)
Terminals	B1 (Fitting M5 bolt & nut) , T2 and I1 are optional
Internal Resistance	≤ 16mΩ(Fully Charged)
Max. Discharge Current	270 A (5 sec.)
Max. Charge Current	5.4 A
Operating Temperature Range	Charge : 0°C~40°C(32°F~104°F) Discharge : -20°C~50°C(-4°F~122°F) Storage. : -20°C~40°C(-4°F~104°F)
Container Material	Standard: ABS(UL94 HB) BC18-12 Optional: Flame Retardant ABS(UL94 V-0)BC18-12FR



MH19884



- IEC 61056-1
- JIS C 8702-1
- GB/T 19639.1

DIMENSION(mm/inch)	OUTER DIMENSIONS	TERMINAL TYPE
<ul style="list-style-type: none"> ■ Length 181±1.5 (7.13±0.06) ■ Width 76±1.5 (2.99±0.06) ■ Container Height 166±1.5 (6.54±0.06) ■ Total Height 166±1.5 (6.54±0.06) 		<ul style="list-style-type: none"> ● Terminal B1  ● Terminal T2  ● Terminal I1  <p>Terminal Hardware Initial Torque: B1(2.5Nm±5%),I1(4.0Nm±5%)</p>

Constant power discharge characteristics at 25 °C/77 °F Unit: W

Discharge Time F.V.	5 Min	10 Min	15 Min	30 Min	1 Hr	3 Hr	5 Hr	10 Hr	20 Hr
10.8V	651	479	384	229	131.0	52.5	36.2	20.21	10.64
10.5V	753	519	401	237	134.9	53.5	36.7	20.52	10.80
10.2V	800	538	414	242	137.3	54.0	37.0	20.63	10.85
9.9V	836	551	424	246	139.0	54.4	37.1	20.69	10.88
9.6V	864	561	432	249	140.4	54.7	37.2	20.69	10.88

Constant current discharge characteristics at 25 °C/77 °F Unit: A

Discharge Time F.V.	5 Min	10 Min	15 Min	30 Min	1 Hr	3 Hr	5 Hr	10 Hr	20 Hr
10.8V	58.63	42.17	33.38	19.36	11.01	4.372	3.014	1.685	0.886
10.5V	69.11	45.69	34.92	20.10	11.34	4.460	3.060	1.710	0.900
10.2V	73.43	47.33	36.00	20.55	11.54	4.500	3.077	1.718	0.904
9.9V	76.72	48.46	36.83	20.84	11.68	4.532	3.088	1.724	0.907
9.6V	79.26	49.44	37.57	21.05	11.80	4.558	3.097	1.724	0.907

All data and artworks shall be changed without prior notice, BB reserves the right to explain and update the information contained herein.